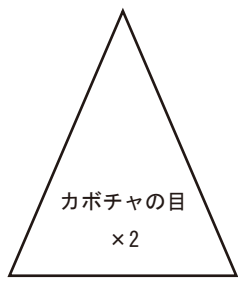


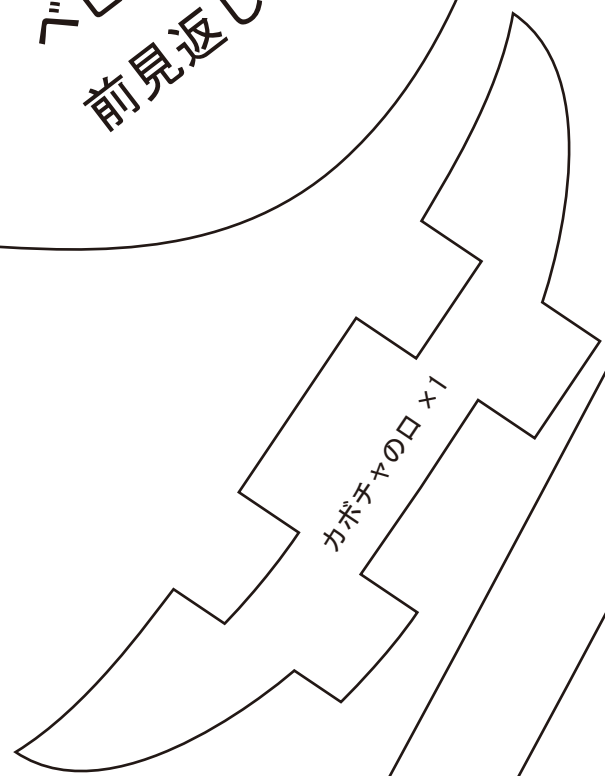
ベビー 90 cm サイズ
前見返し × 1



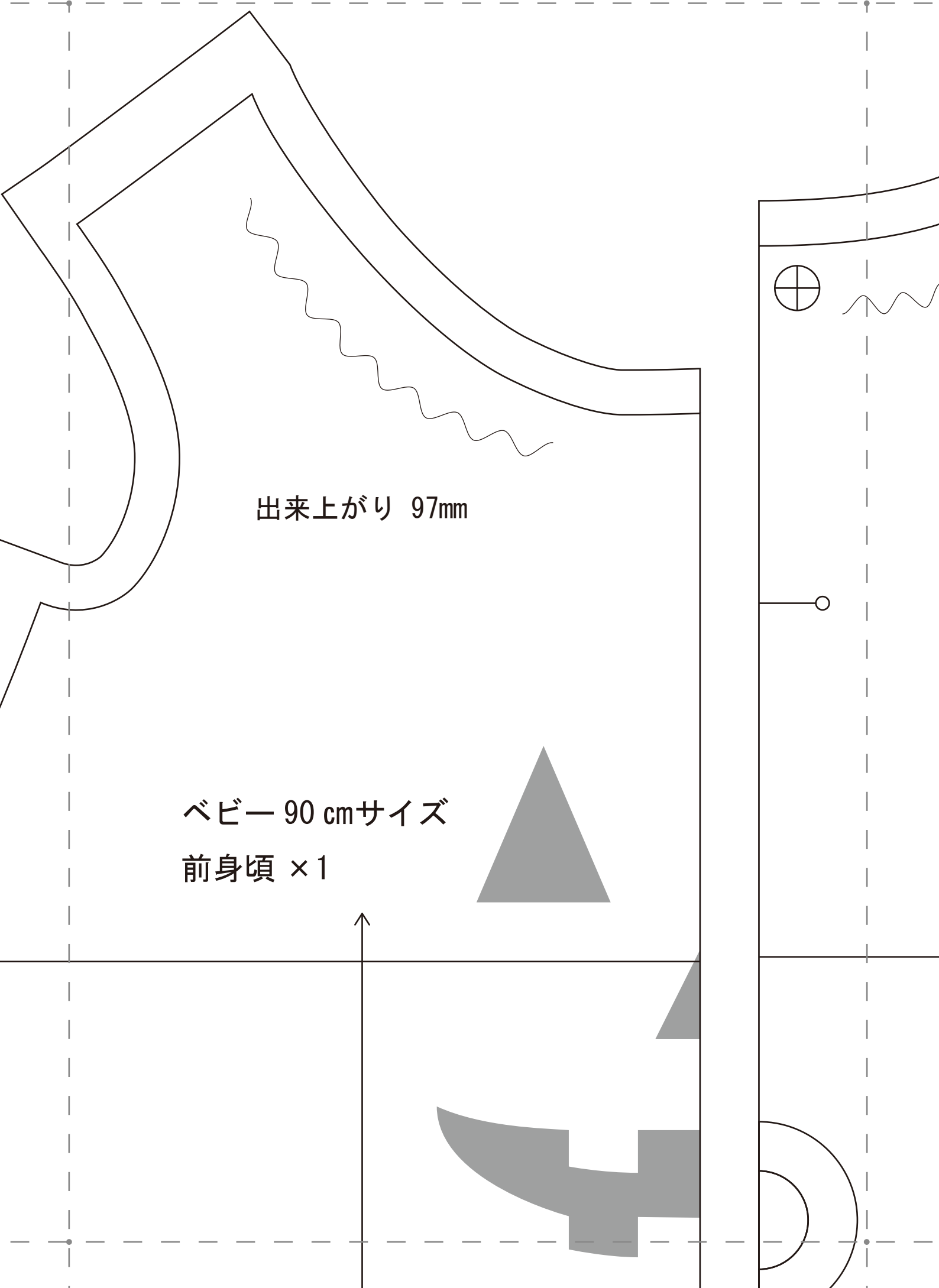
カボチャの目
× 2



カボチャの
鼻 × 1

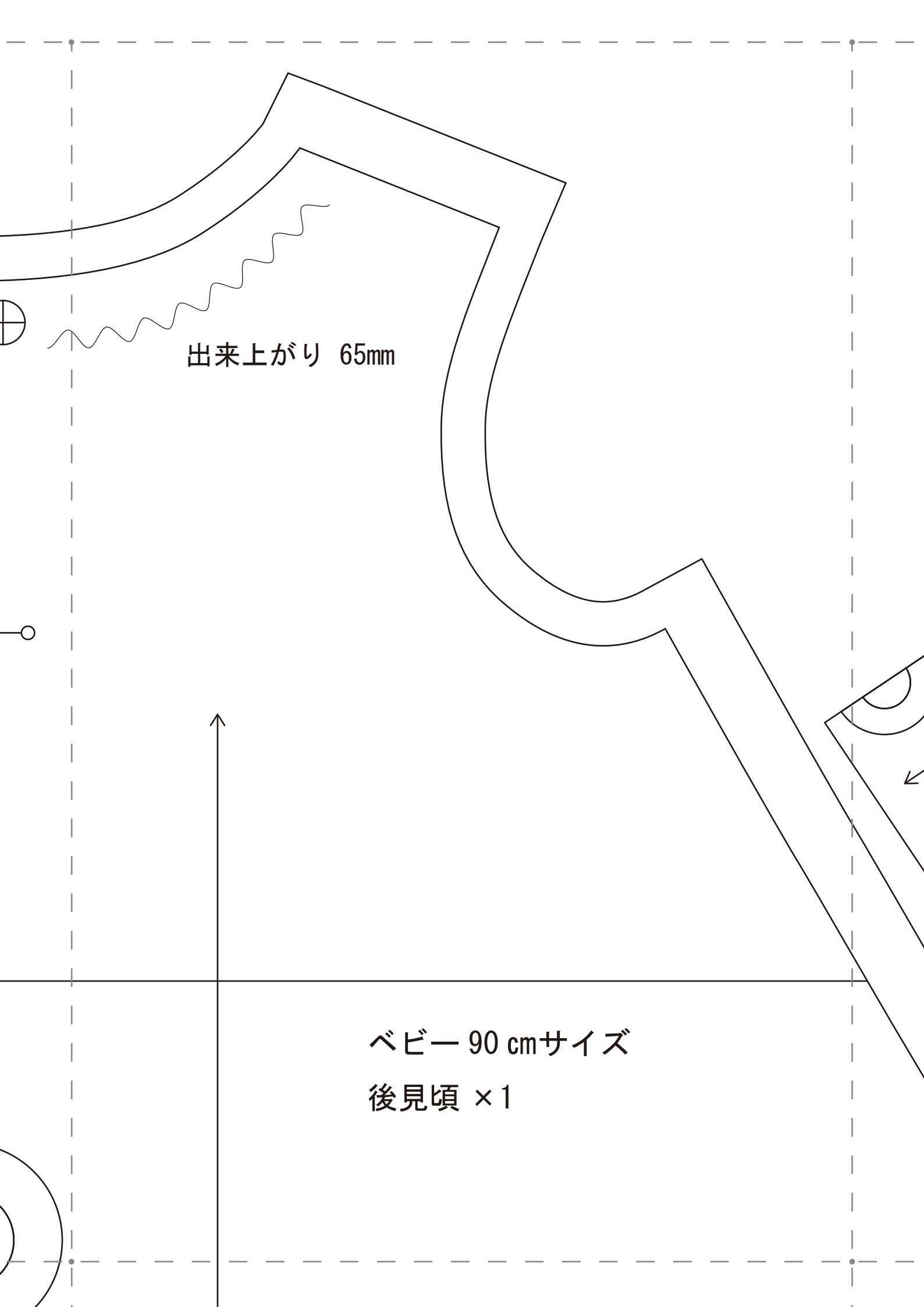


カボチャの口 × 1



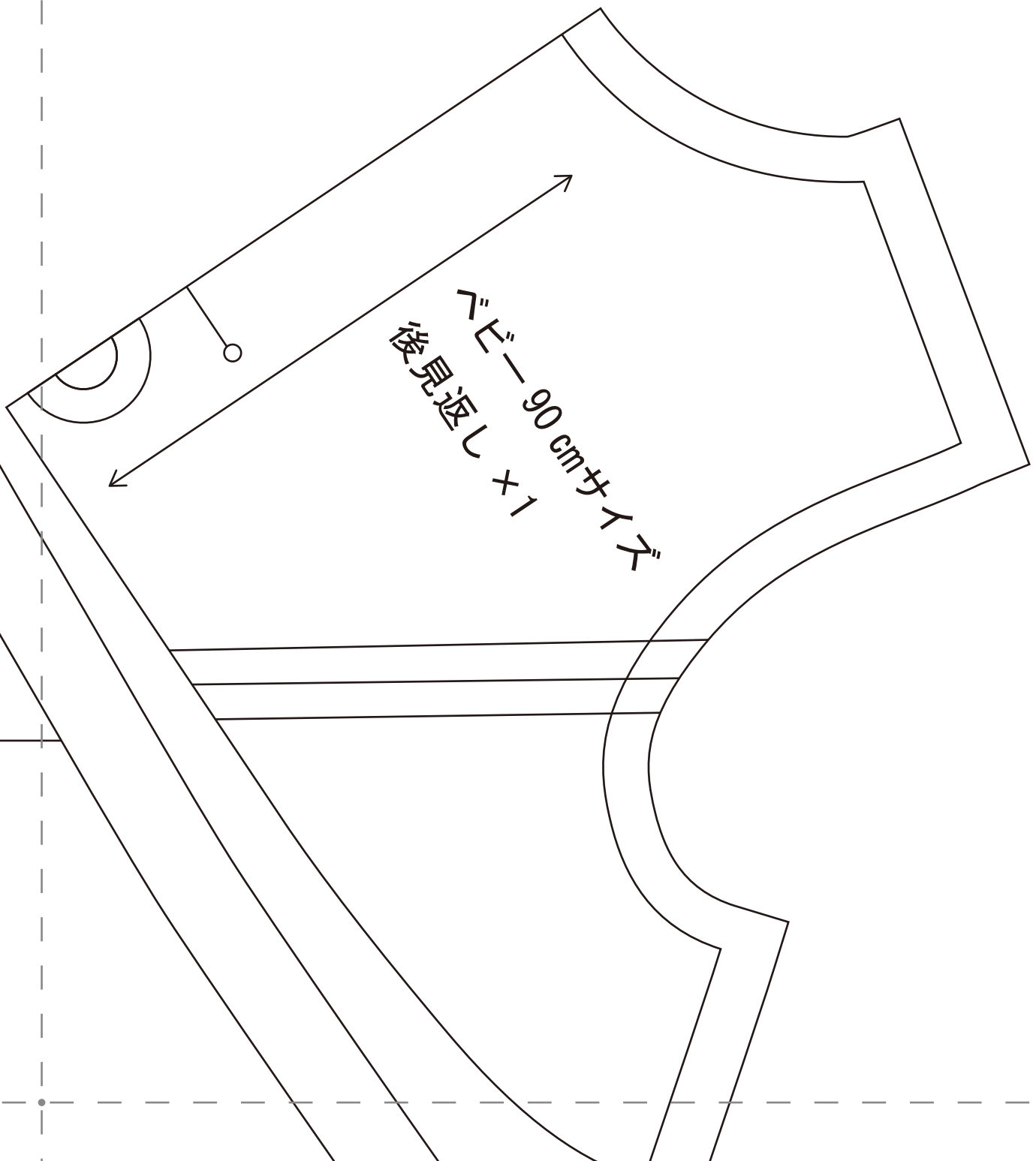
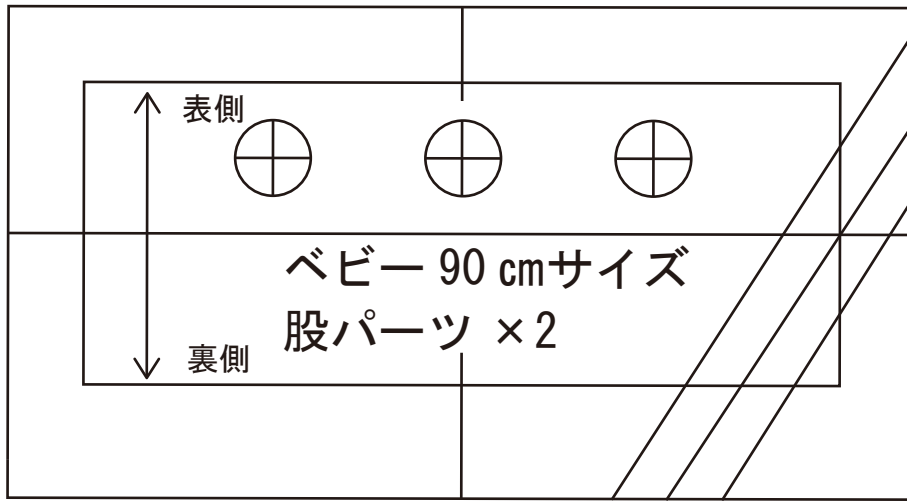
出来上がり 97mm

ベビー 90 cmサイズ
前身頃 × 1



出来上がり 65mm

ベビー 90 cmサイズ
後見頃 ×1





出来上がり 150mm

The image shows a technical drawing of a curved surface. The drawing is enclosed in a dashed rectangular frame. The surface is defined by two solid lines that curve from the top-left towards the bottom-right. The upper line is smooth, while the lower line is wavy, representing a finished surface. A dimension line is drawn parallel to the wavy line, with the text '出来上がり 150mm' (Final finish 150mm) written above it. The drawing is oriented vertically on the page.

